

Data Sheet - Point of Sale (PoS) Movements

**Point of Sale (PoS) Movements**

Our wide range of mains and battery powered movements are a perfect way to encourage interest for short term brand promotion, new product launches and exhibitions. Easily applicable to a range of displays no eye will be left un-caught when such a range of motion is available including oscillating, up and down and pendulum movements. Our range of movements includes a variety of sizes, speeds and even our solar powered pendulum movement.



D-002-PMS01



D-002-UD10



D-002-OM60.09  
Oscillating movement



D-002-PMS01  
Pendulum movement

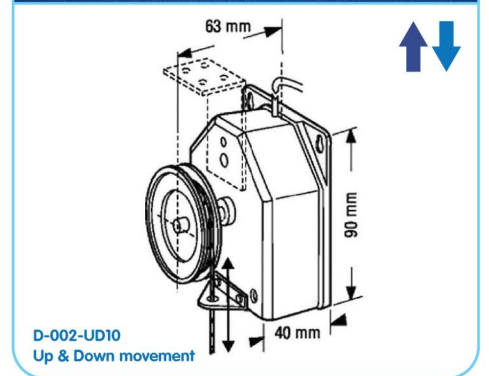
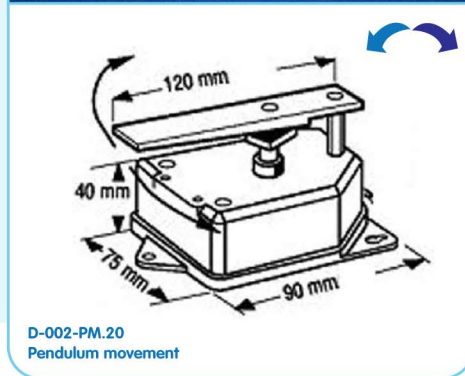
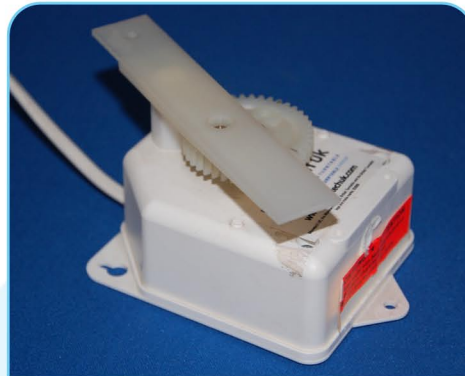
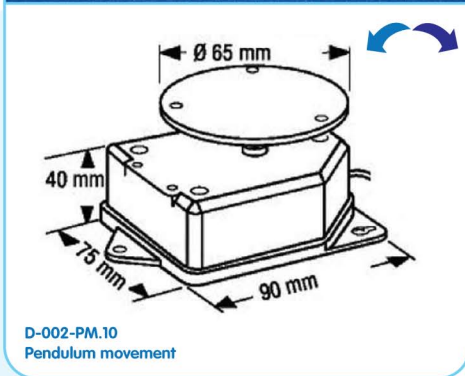


D-002-UD10  
Up and down movement



**Mains Powered Movements**

Movetech UK's mains powered units are not only superb at creating eye-catching displays but can also be used to draw attention to under-visited areas of a store, highlight special promotions, signpost important areas of the store such as a customer service desk, raise the profile and visibility of higher value items or simply use the range of movements to create a dynamic area for holiday and festive displays.



**Point of Sale (PoS) Movements Specifications**

Product Code	Product Description	Speed (RPM)	Unit Dimensions			Maximum Display Properties		
			Diameter (mm)	Height (mm)	Weight (kg)	Diameter (mm)	Height (mm)	Capacity (kg)
D-002-PM.10	Pendulum Movement 45 Degrees - 10	10	100x75	60	0.350	100	100	1.00
D-002-PM.20	Pendulum Movement 45 Degrees - 20	20	100x75	60	0.350	100	100	1.00
D-002-PM.30	Pendulum Movement 45 Degrees - 30	30	100x75	60	0.350	100	100	1.00
D-002-UD10	Up & Down Movement 26mm/Sec	10	48	28	0.350	100	100	0.34
D-002-UD30	Up & Down Movement 78mm/Sec	30	48	28	0.350	100	100	0.20



### Battery Powered Movements

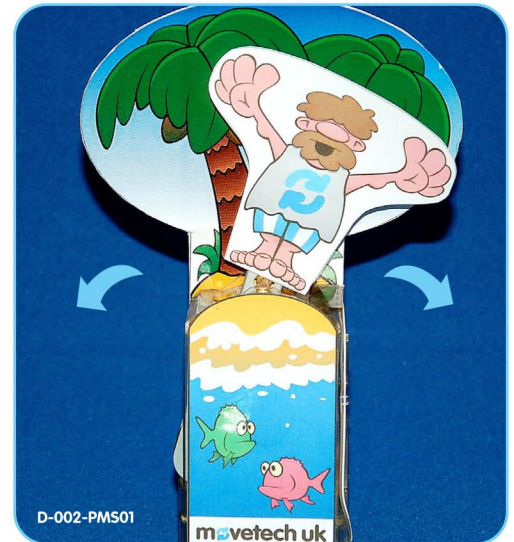
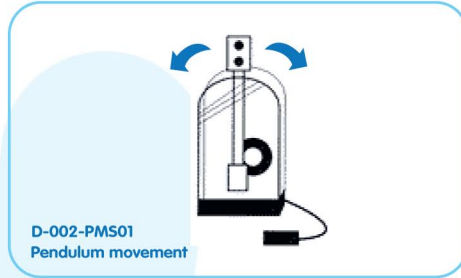
Movetech UK's battery powered units provide a portable aspect to our range. Creating eye-catching displays, highlighting special promotions and raising the profile and visibility of higher value items. With battery life of more than 3 to 4 weeks if used 24/7 or approximately 6 to 8 weeks if used during business hours only these Movements offer a real alternative to mains power with their trailing lead.



Battery life varies depending on the battery type, battery quality and the turntable load, etc.

### Solar Powered Movements

With a solar powered movement all you need is display lighting or daylight to create an attention grabbing scene. A simple but very effective way to create movement.



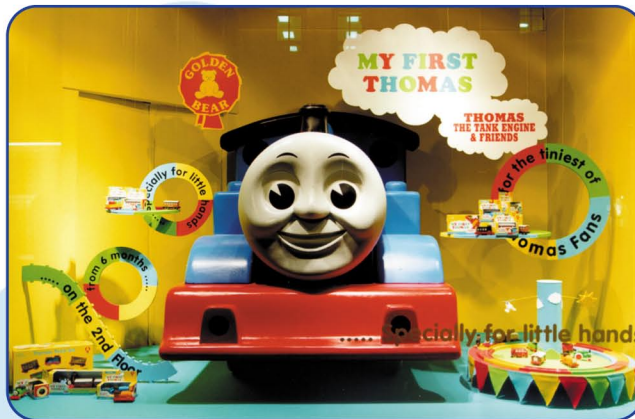
### Battery and Solar Powered Movements Specifications

Product Code	Product Description	Speed (RPM)	Battery Type	Unit Dimensions			Maximum Display Properties		
				Diameter (mm)	Height (mm)	Weight (kg)	Diameter (mm)	Height (mm)	Capacity (kg)
D-002-OM45.10	Motor 45 Degree Oscillating movement 10RPM	10	D	100x75	60	0.350	100	100	1.00
D-002-OM60.09	Motor 60 Degree Oscillating movement with Battery Holder - 09	9	D	112	160	0.250	100	100	1.00
D-002-OM60.20	Motor 60 Degree Oscillating movement with Battery Holder - 20	20	D	112	215	0.350	100	100	1.00
D-002-OM60.30	Motor 60 Degree Oscillating movement with Battery Holder - 30	30	D	112	275	0.450	100	100	1.00
D-002-PMS01	Pendulum Movement Solar Powered Rocker	N/A	-	45x30 (wide)	120	0.070	100	100	0.25



## Can't find what you are looking for?

Movetech UK's range extends to smaller battery and solar powered movement as well as much larger units. The product portfolio includes off-the-shelf revolving stages from 1m up to 33m in diameter, and Movetech UK also offers a bespoke design and build service to cater for all customers needs.



In addition, an economical rental service is available. To discuss your requirements or for further information please contact Movetech UK - 01204 525626 - info@movetechuk.com - www.movetechuk.com